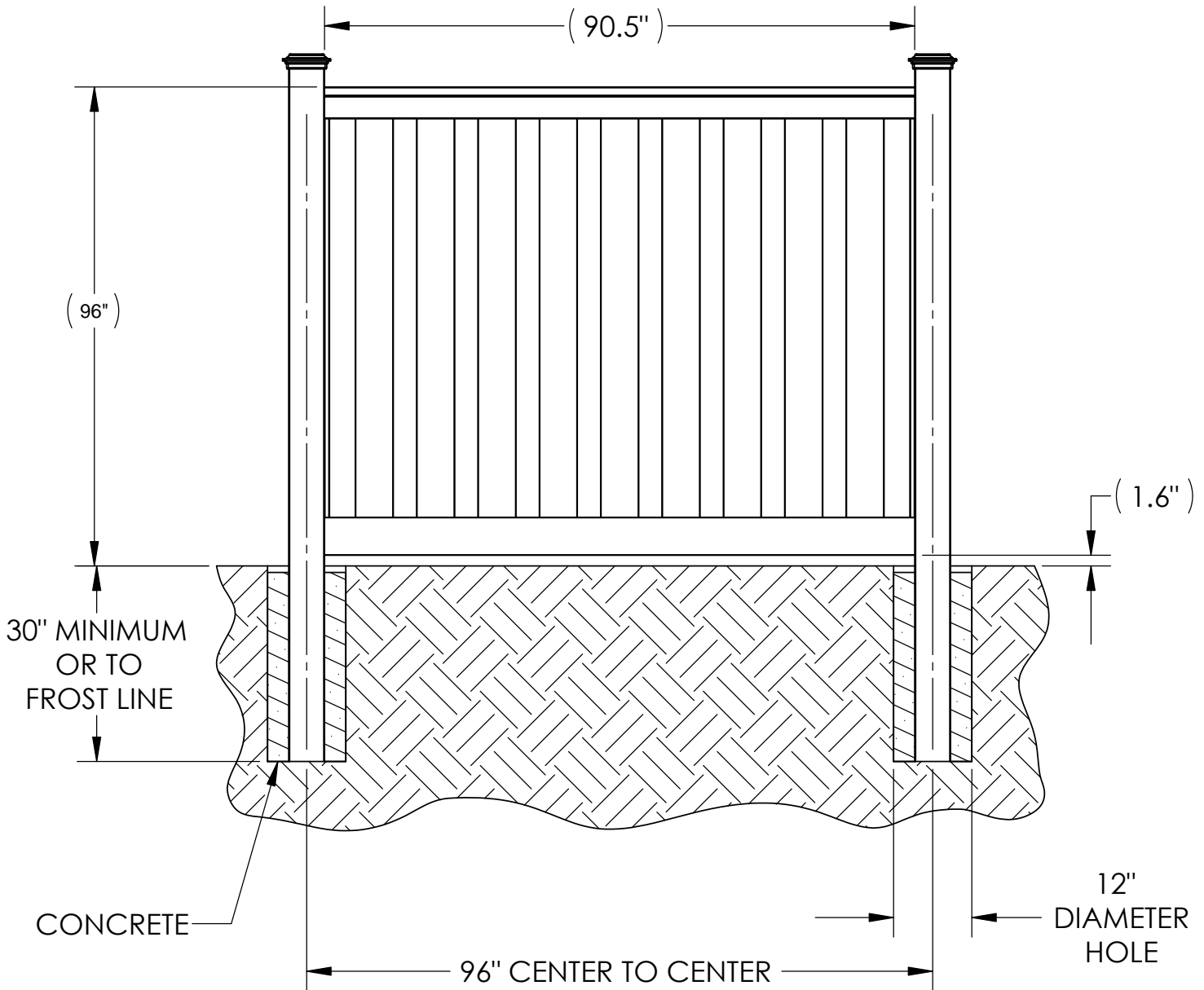


C

D

REVISION HISTORY

| CDCO NUMBER | REV | DESCRIPTION | DRAWN | APPR | DATE |
|-------------|-----|-------------|-------|------|------|
| CDCO- | | | | | |
| CDCO- | | | | | |



1

2

3

| | | | |
|---|-----------|--|----------|
| TITLE: X | | Trex Company, Inc. 160 Exeter Drive Winchester, Virginia | |
| UNLESS OTHERWISE SPECIFIED: DIMENSIONS ARE IN INCHES TOLERANCES DECIMALS ANGULAR .XX ± .01 ± 0.5° .XXX ± .005 DO NOT SCALE DRAWING | | | |
| DRAWN X | DATE X | SIZE B | DWG NO. |
| CHECKED | DATE | REV | |
| DESIGN APPROVAL X | DATE X | SCALE | SHEET OF |

C

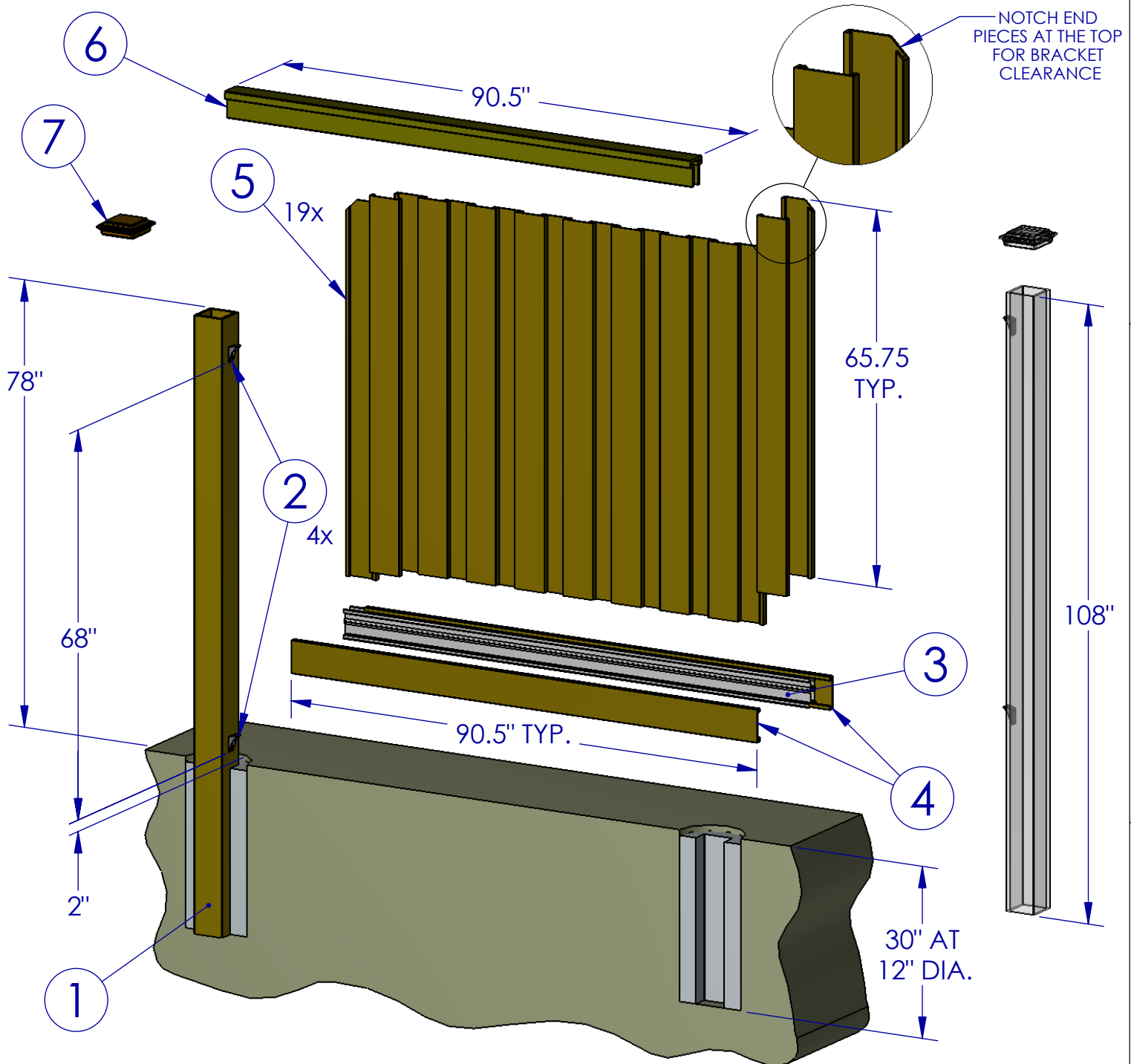
D

A

B

REVISION HISTORY

| CDCO NUMBER | REV | DESCRIPTION | DRAWN | APPR | DATE |
|-------------|-----|-------------|-------|------|------|
| CDCO- | | | | | |
| CDCO- | | | | | |



THIS DRAWING IS THE PROPERTY OF THE TREX COMPANY, INC. AND MUST BE SURRENDERED UPON REQUEST. THE INFORMATION CONTAINED IN THIS DRAWING MAY NOT BE REPRODUCED WITHOUT WRITTEN PERMISSION FROM THE TREX COMPANY, INC. ANY HARD COPY OF THIS DRAWING MAY NOT BE CURRENT. VERIFY REVISION STATUS OF ELECTRONIC DOCUMENT BEFORE USING.

TITLE:

X

UNLESS OTHERWISE SPECIFIED:
DIMENSIONS ARE IN INCHES
TOLERANCES
DECIMALS .XX ± .01 ANGULAR ± 0.5°
.XXX ± .005
DO NOT SCALE DRAWING

Trex Company, Inc.

160 Exeter Drive
Winchester, Virginia

DRAWN X DATE X

CHECKED DATE

DESIGN APPROVAL X DATE X

SIZE DWG NO.

A X

SCALE X

REV

SHEET 1 OF X

A

B

A

B

REVISION HISTORY

| CDCO NUMBER | REV | DESCRIPTION | DRAWN | APPR | DATE |
|-------------|-----|-------------|-------|------|------|
| CDCO- | | | | | |
| CDCO- | | | | | |

BILL OF MATERIALS FOR AN 8' SECTION OF TREX FENCING

| ITEM NO. | DESCRIPTION | LENGTH | QTY. |
|----------|----------------------------|--------|------|
| 1 | FENCE POST | 108" | 1 |
| 2 | BRACKET | N/A | 4 |
| 3 | METAL INSERT | 90.5" | 1 |
| 4 | BOTTOM RAIL | 90.5" | 2 |
| 5 | PICKET | 65.75" | 19 |
| 6 | TOP FENCE SUPPORT | 90.5" | 1 |
| 7 | (FLAT OR PYRAMID) POST CAP | N/A | 1 |

THIS DRAWING IS THE PROPERTY OF THE TREX COMPANY, INC. AND MUST BE SURRENDERED UPON REQUEST. THE INFORMATION CONTAINED IN THIS DRAWING MAY NOT BE REPRODUCED WITHOUT WRITTEN PERMISSION FROM THE TREX COMPANY, INC. ANY HARD COPY OF THIS DRAWING MAY NOT BE CURRENT. VERIFY REVISION STATUS OF ELECTRONIC DOCUMENT BEFORE USING.

TITLE:

X

UNLESS OTHERWISE SPECIFIED:
DIMENSIONS ARE IN INCHES
TOLERANCES
DECIMALS ANGULAR
.XX ± .01 ± 0.5°
.XXX ± .005
DO NOT SCALE DRAWING

Trex Company, Inc.

160 Exeter Drive
Winchester, Virginia

DRAWN X DATE X

CHECKED DATE

DESIGN APPROVAL X DATE X

SIZE A DWG NO. X

SCALE X

SHEET 1 OF

REV

X

A

B